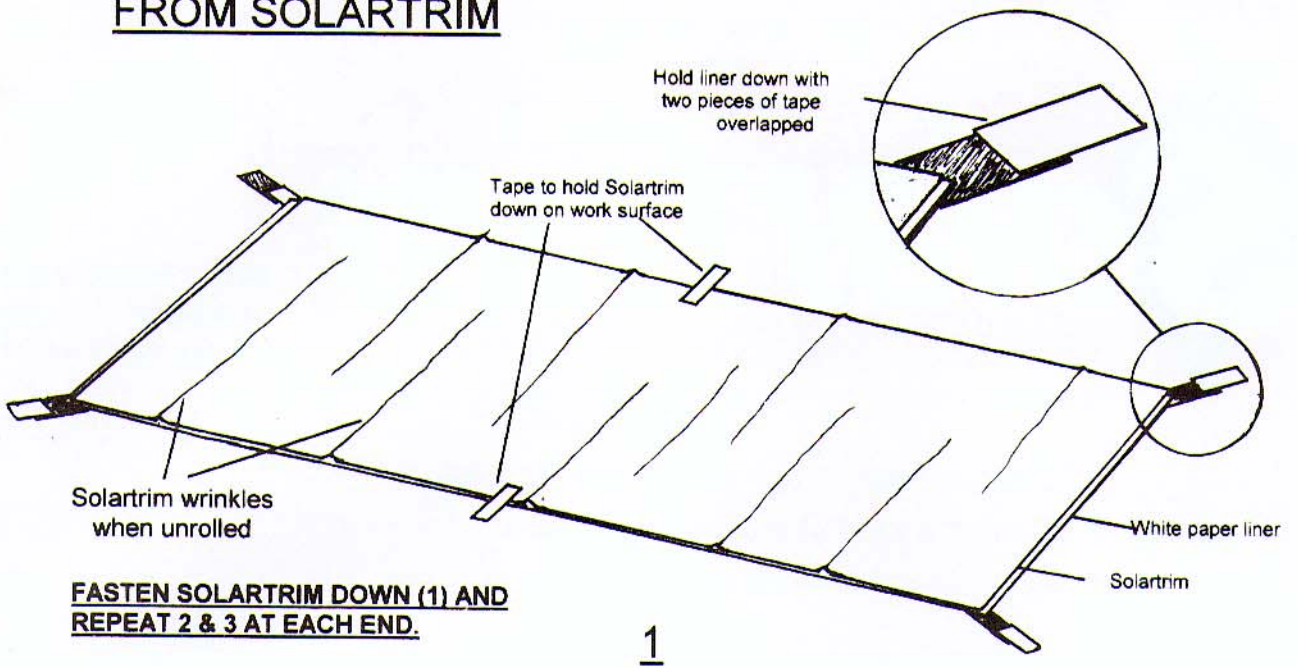
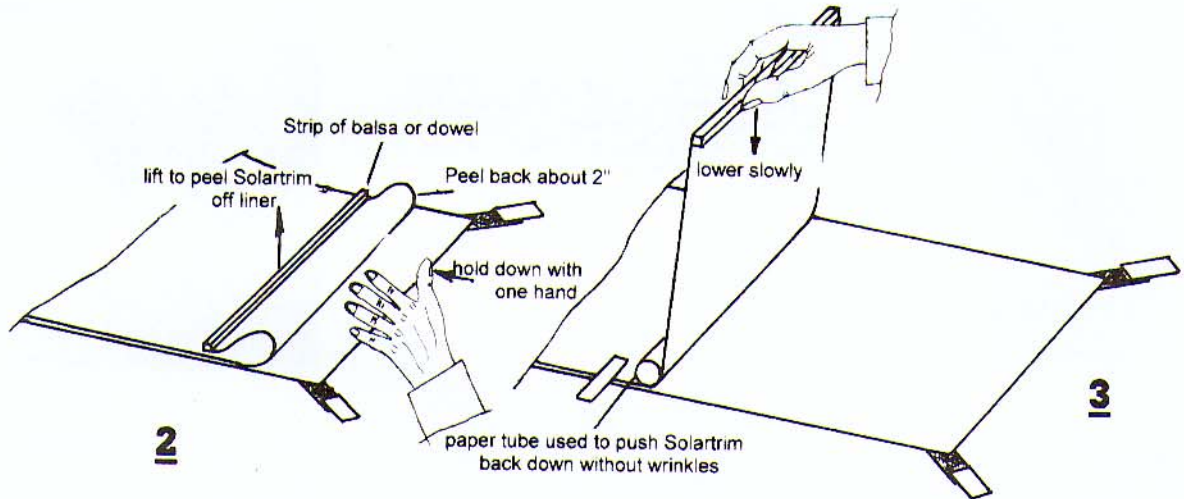


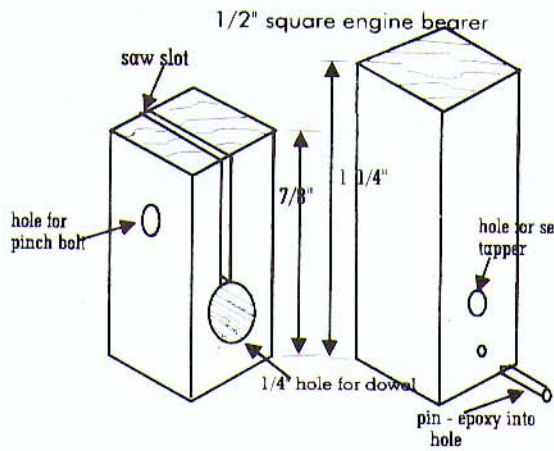
REMOVING WRINKLES FROM SOLARTRIM



FASTEN SOLARTRIM DOWN (1) AND REPEAT 2 & 3 AT EACH END.



CIRCLE CUTTER



Hold cutter in left hand and place spike at centre of a square of Solartrim. Do not move cutter - just pull Solartrim round under cutter with right hand until a complete circle has been cut by the blade.

